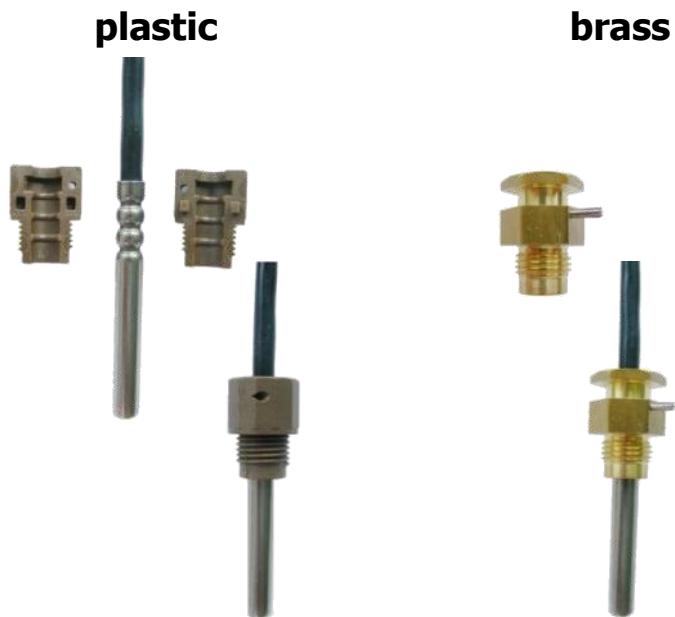


# Variants of installation (PS sensor)

## Direct installation

With adapter (plastic or brass)  
only for 5.2 mm sensor



## Installation via pockets

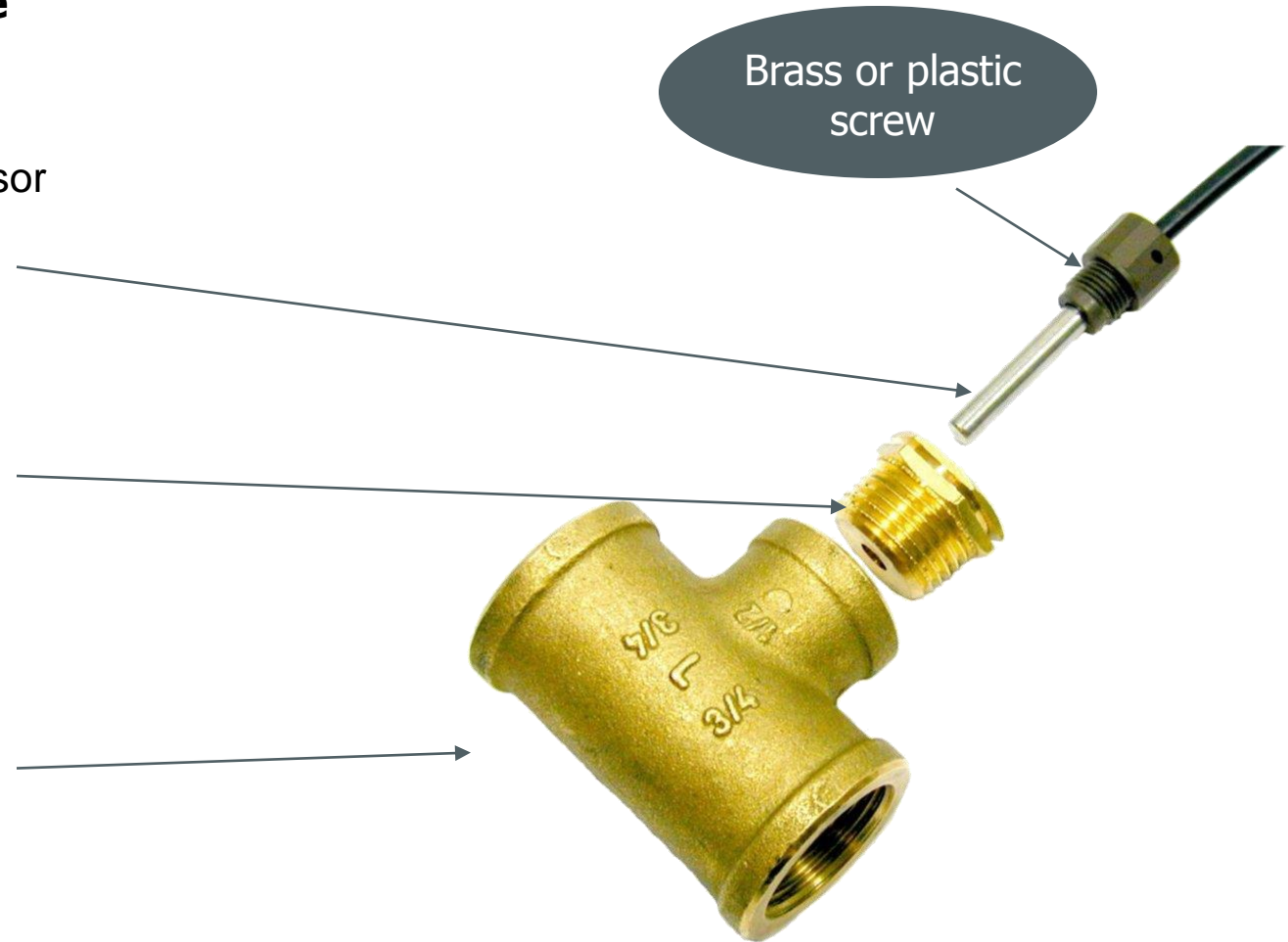


## Adapter and T-piece

Temperature sensor  
Ø 5.2 mm

Adapter  
(1/2" x M10x1)

T-piece 3/4"

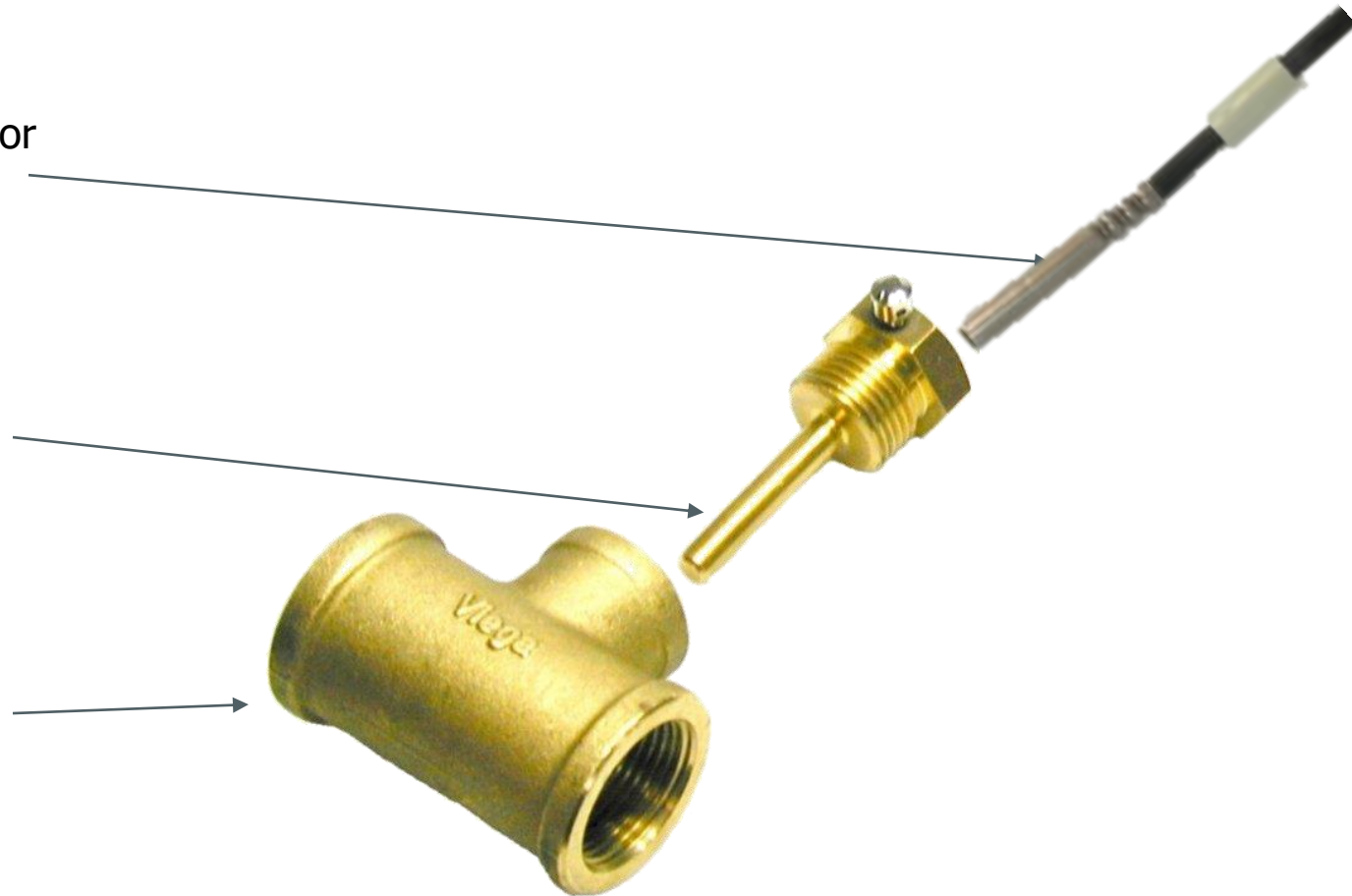


## Pocket and T-piece

Temperature sensor  
Ø 5.2 mm

Pocket  
(1/2")

T-piece 3/4"

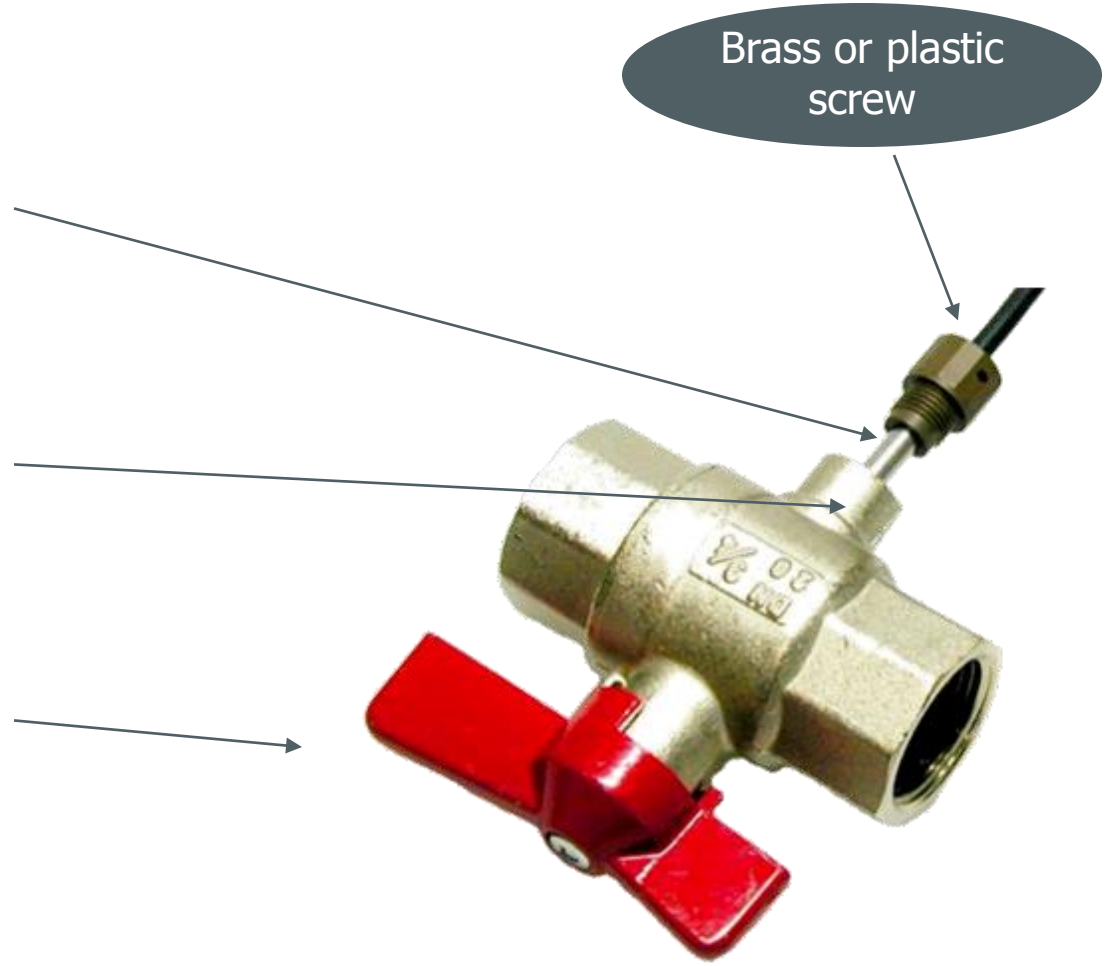


## Ball valve

Temperature sensor  
Ø 5.2 mm

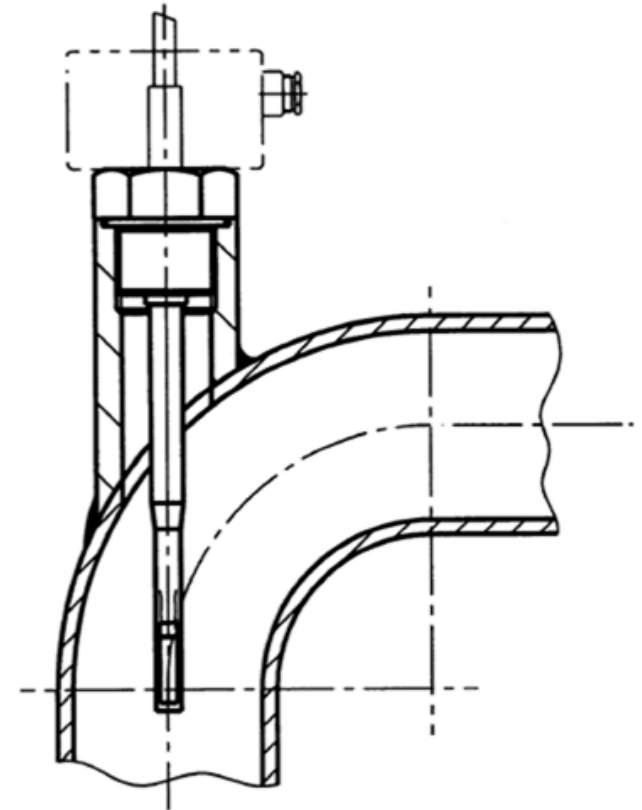
Thread inside M10x1

Ball valve 3/4"



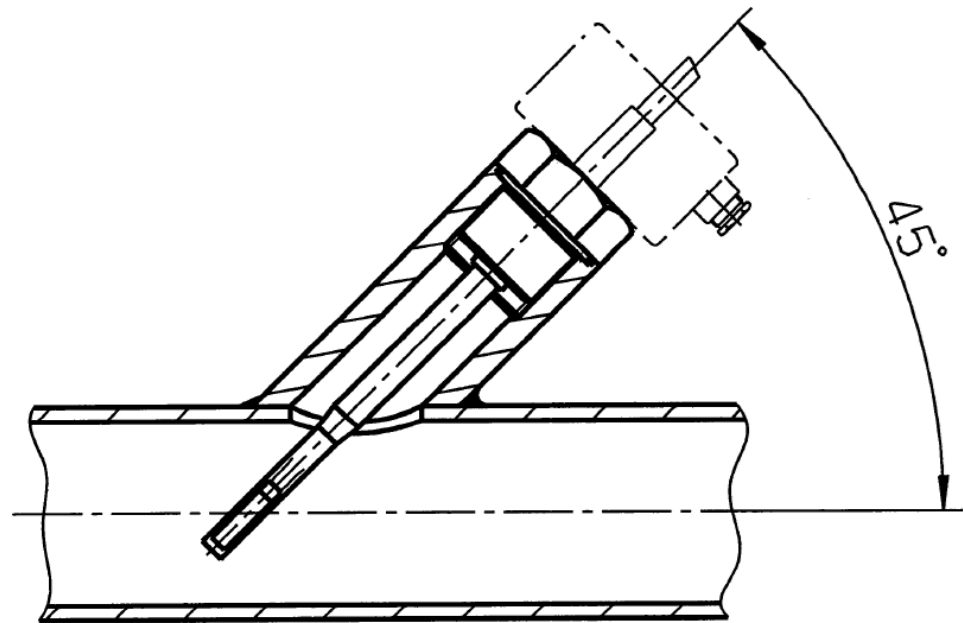
# Installation example #1

Installation in an elbow for pipe diameter  $\leq$  DN 50, for long temperature sensors



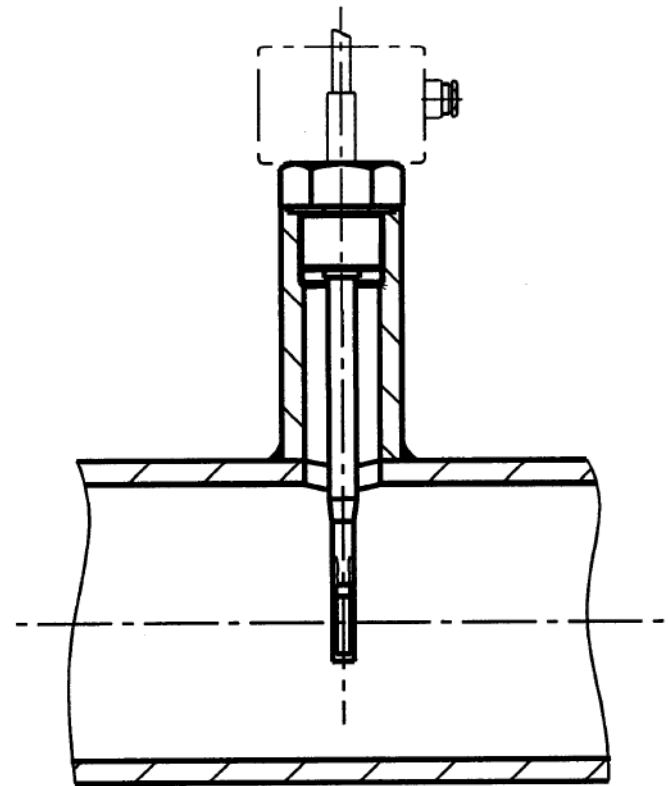
# Installation example #2

Installation for pipe diameter  $\leq$  DN 50, for direct installation, diagonal to the flowdirection



# Installation example #3

Installation for pipe diameter from DN 65 up to DN 250 for screwing installation in pockets, vertical to the flow direction



# Pockets for 5.2 mm temperature sensors

## Brass

Approval	Nominal diameter	DN 15/20/25/32	DN 40/50/65	DN 80/100/125	DN 150
<b>MID</b>	Length L1	35 mm	52 mm	85 mm	120 mm
	Article-No. (1 piece)	3002684	3002685	3004406	3004407





# Pockets for 5.2 mm temperature sensors

## Stainless steel

Approval	Nominal diameter	DN 15/20/25/32	DN 40/50/65	DN 80/100/125	DN 150
<b>MID</b>	Length L1	85 mm	120 mm	155 mm	210 mm
	Article-No. (1 piece)	3009835	3009836	3009837	3009838



# Pockets for 6.0 mm temperature sensors

## Brass

Approval	Nominal diameter	DN 25/32/40/50/65	DN 80/100/125	DN 150/200
<b>MID</b>	Length L1	40 mm	85 mm	120 mm
	Article-No. (1 piece)	3002686	3004408	3004409



# Pockets for 6.0 mm temperature sensors

## Stainless steel

Approval	Nominal diameter	DN 80/100/125	DN 150/200	DN 200/250	DN 300
<b>MID</b>	Length L1	85 mm	120 mm	155 mm	210 mm
	Article-No. (1 piece)	3009839	3009840	3009841	3009842



# Accessories temperature sensor

Adapter Brass	Installation Set Brass	Installation Set Plastics	Ball valves		
1 piece    32 piece	20 pcs.	20 pcs.	1 pcs.	2 pcs.	12 pcs.
<b>G<math>\frac{1}{2}</math>" - M10x1</b> - 3032509 3032547	3001303	3001305	<b>G<math>\frac{1}{2}</math>"   DN 15</b> - 3032540	3032543	3032506
			<b>G<math>\frac{3}{4}</math>"   DN 20</b> - 3032541	3032544	3032507
			<b>G1"   DN 25</b> - 3032542	3032545	3032508



